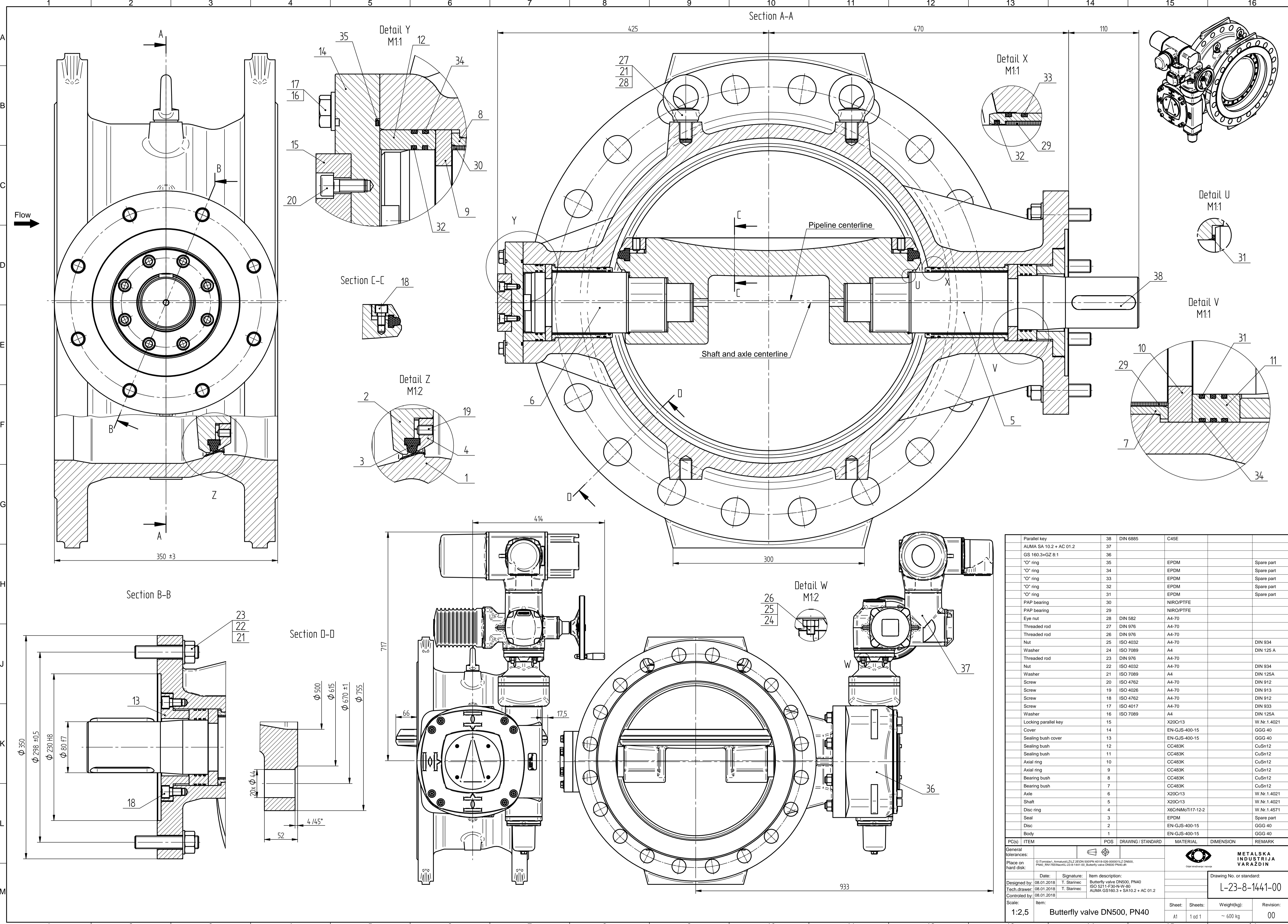



This drawing is a copyright of "Metalaska Industrija Varaždin d.o.o.". Without its prior written consent no copying, reproduction or use for production of the model shown is allowed.



PC(s)	ITEM	POS	DRAWING / STANDARD	MATERIAL	DIMENSION	REMARK
	Parallel key	38	DIN 6885	C45E		
	AUMA SA 10.2 + AC 01.2	37				
	GS 160.3+GZ 8:1	36				
	"O" ring	35		EPDM		Spare part
	"O" ring	34		EPDM		Spare part
	"O" ring	33		EPDM		Spare part
	"O" ring	32		EPDM		Spare part
	"O" ring	31		EPDM		Spare part
	PAP bearing	30		NIRO/PTFE		
	PAP bearing	29		NIRO/PTFE		
	Eye nut	28	DIN 582	A4-70		
	Threaded rod	27	DIN 976	A4-70		
	Threaded rod	26	DIN 976	A4-70		
	Nut	25	ISO 4032	A4-70		DIN 934
	Washer	24	ISO 7089	A4		DIN 125 A
	Threaded rod	23	DIN 976	A4-70		
	Nut	22	ISO 4032	A4-70		DIN 934
	Washer	21	ISO 7089	A4		DIN 125A
	Screw	20	ISO 4762	A4-70		DIN 912
	Screw	19	ISO 4026	A4-70		DIN 913
	Screw	18	ISO 4762	A4-70		DIN 912
	Screw	17	ISO 4017	A4-70		DIN 933
	Washer	16	ISO 7089	A4		DIN 125A
	Locking parallel key	15	X20Cr13		W.Nr.1.4021	
	Cover	14	EN-GJS-400-15		GGG 40	
	Sealing bush cover	13	EN-GJS-400-15		GGG 40	
	Sealing bush	12	CC483K		CuSn12	
	Sealing bush	11	CC483K		CuSn12	
	Axial ring	10	CC483K		CuSn12	
	Axial ring	9	CC483K		CuSn12	
	Bearing bush	8	CC483K		CuSn12	
	Bearing bush	7	CC483K		CuSn12	
	Axle	6	X20Cr13		W.Nr.1.4021	
	Shaft	5	X20Cr13		W.Nr.1.4021	
	Disc ring	4	X6CrNiMoTi17-12-2		W.Nr.1.4571	
	Seal	3	EPDM		Spare part	
	Disc	2	EN-GJS-400-15		GGG 40	
	Body	1	EN-GJS-400-15		GGG 40	

General tolerances:	PC(s)	ITEM	POS	DRAWING / STANDARD	MATERIAL	DIMENSION	REMARK
Place on hard disk:							
Designed by:	08.01.2018	T. Starinec		Butterfly valve DN500, PN40			
Tech. drawer:	08.01.2018	T. Starinec		ISO 5211-F38-N4V-90			
Controlled by:	08.01.2018			AUMA GS160.3 + SA10.2 + AC 01.2			
Scale:	1:2,5	Item:		Butterfly valve DN500, PN40			
Sheet:	A1	Sheets:	1 od 1	Weight(kg):	~ 600 kg	Revision:	00


**METALSKA INDUSTRIJA VARAŽDIN**  
 Drawing No. or standard:  
**L-23-8-1441-00**